

DIGITAL UPS

Instructions For Use (IFU) for Soft Manager & Win Manager



Soft Manager



Win Manager

*Winning Edge-
Business Solutions*

www.su-kam.com



AN ISO 901 COMPANY

Contents

1. <i>Introduction</i>	
1.1 Overview	2
1.2 Panel's Explanation	3
1.3 LED and Alarm Indications	4
1.4 Smart AVR	5
1.5 Safety Instructions	5
2. <i>Installation and operation</i>	
2.1 Installation	7
2.2 Operation	8
2.3 Storage Instructions	9
3. <i>Communication Interface</i>	
3.1 DB9 Communication Port	10
3.2 UPS Monitoring Software "Info Disc Manager"	11
4. <i>Trouble Shooting</i>	14
5. <i>Technical Specifications</i>	
5.1 600 VA-Digital UPS with Internal Battery	16-18
6. <i>Warranty Card</i>	19-20

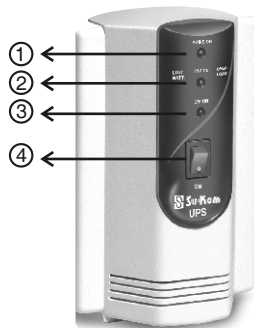
1. Introduction

1.1 Overview

The DIGITAL Series Su-Kam UPS is an advanced high performance standby Uninterruptible Power System (UPS) designed to protect your computer and other computerized equipment from utility line failures, disturbances, frequency deviations, spikes and surges. In the event of utility power failure, the UPS will rapidly transfer loads to an alternative power source which derives power from battery set inside the UPS.

The UPS provides two charging modes; quick charging and trickle charging, to maintain the battery in the best condition.

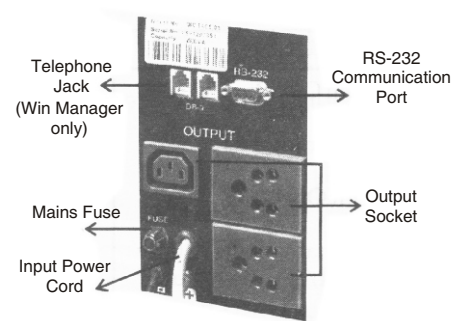
I.2 Panel's Explanation



WIN MANAGER



SOFT MANAGER



REAR PANEL

1. Green LED for Mains ON / Charging ON
2. Red LED for Inverter ON (Continuous ON)
Low Battery (Slow flashing)
Over load / Short circuit (Fast flashing)
3. Yellow LED for Output ON
4. Power ON / OFF switch to ON / OFF the UPS

1.3 LED and Alarm Indications :

CONDITION	LED	BUZZER
Normal City Power	Green Lighting	No beep
Back-up mode	Red Lighting	B....B.... (1beep / 15sec)
Output ON/OFF	Yellow LED ON / OFF	Beep in Battery mode only
Abnormal Voltage of City Power (I/P Voltage out of range)	Green flashing	
Low Battery	Red flashing (slow)	B...B...B...B... (4 beeps / Sec)
Overload / Short ckt.	Red flashing (fast)	B....B.... (depend on % load)
No load shutdown	Red flashing (slow)	B....B.... (1 beep / 3sec)

I.4 Smart-AVR

The UPS automatically regulates output voltage within the normal range, both in low utility voltage and high utility voltage conditions.

To enable use to start the UPS without utility power, it is equipped with cold start function.

I.5 Safety Instructions

Caution

- ☛ The UPS contains voltages which are potentially hazardous.
- ☛ The UPS has its own internal energy source (battery). The output receptacles may be live even when the UPS is not connected to an AC supply.
- ☛ All repairs should be performed by qualified service personnel.

Safe and continuous operation of the UPS depends partially on the care taken by user. Please observe the following precautions:

- ☛ Do not disassemble the UPS.
- ☛ Connecting the UPS to a two pole, three-wire grounding mains is receptacle. Connection with any other type of receptacle may result in a shock hazard and may violate local electrical codes.
- ☛ Do not allow water or any foreign object to get inside the UPS. And do not put objects containing liquid on or near the UPS.
- ☛ Keep UPS away from fire or heating sources.
- ☛ To ensure the performance of the UPS, do not load the UPS with Laser Printer, motor, or any type of inductive load.
- ☛ The Power socket should be installed near the equipment and be easily accessible. To isolate from AC input, disconnect the plug in the power cord.
- ☛ The battery will discharge naturally. If it is charged periodically, its life time will be prolonged. It will damage if long term no use, which won't be covered in our warranty.

2. Installation and Operation

2.1 Installation

- ☛ Inspecting the Packing Carton for damage that may have occurred while in transit. Immediately notify the carrier and place of purchase if any damage is found. Retain the package for future use.
- ☛ Ensure that the front power ON / OFF switch of UPS is in OFF position before you begin the installation.
- ☛ Connect the power cord to a verified grounded 3-wire receptacle.
- ☛ For connecting your equipment to the UPS and to ensure that your computer equipment will be protected during a utility failure, it is important to make sure that the maximum power need of the equipment is not over the rated capacity of the UPS.

2.2 Operation

- When the Power Cord is connected with normal utility power, UPS will turn ON automatically and go through the procedure of self test (all front LEDs will glow with buzzer continuous beep for 2 seconds). If test results are O.K., the mains ON green LED will be ON and UPS starts battery charging. At backup outlets of the UPS output will be available only when front power switch is in ON position (O/P ON Yellow LED glow)
- Pushing the front power switch to OFF position, the UPS will turn OFF the power to equipment (O/P ON Yellow LED OFF). But the mains ON green LED will glow when the AC power cord is connected and battery charging will remain continue. To turn OFF the power completely, please pull out the power cord.
- To test backup function during power failure, push the front power switch to ON position. The UPS will turn ON (Inverter ON Red LED glow continuously) and enter into back mode with buzzer beeps. To turn OFF the UPS, Please push the front power switch in OFF position.

- The UPS will turn OFF the output power automatically during backup mode when power consumption is lower than 6% of full specified load. (Red LED will be flashing)
- If overload condition occurs, the buzzer will beep rapidly, it means you have connected too many devices. Please proceed to unplug the least critical equipment from back outlets.

2.3 Storage Instructions

For extended storage in moderate climates, the batteries should be charged for 8 hours every 2 months by plugging the power cord into the wall receptacle. Repeat it every month in high temperature locations.

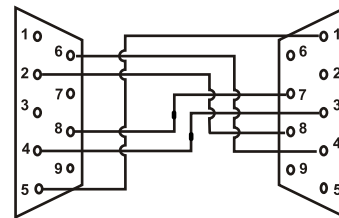
3. Communication Interface

3.1 DB9 Communication Port

Located at the rear side of the unit, the com-connector is a plug in interfacing port (9-pin sub, D-female) which enables advanced communication between the UPS and Computer (interface kit required).

The microcontroller controlled comconnector sends the sensing in the circuitry concerning the power and battery status to computer which is connected, for the event where the batteries are near exhaustion, it sends commands for shutdown the computer.

The interface (communication cable) of UPS with computer is diagramed for your reference.



9 Pin Male
UPS Side

9 Pin Female
PC Side

COMMUNICATION CABLE

3.2 Info Disc Manager

The Su-Kam Digital UPS monitoring software 'Info Disc Manager' Version 13-9-07 S" is compatible with almost all popularly used operating systems as Windows 95, 98, NT, 2000, Millennium and XP to name a few with best reliability. An easy to install auto run software CD and DB-9 communication connector cable is to be connected to facilitate convenient interfacing of PC with UPS.

On first start, the software shows a registration form that is mandatory to be filled for proper functioning of the software. Once registration is completed, it will ask user to select the communication port for communication with the UPS. The port once selected will become the default and the software will start automatically on that port every time. In case user wants to change the port which is once made default then it must change it in less than 30 seconds when the port form pops up after start of software.

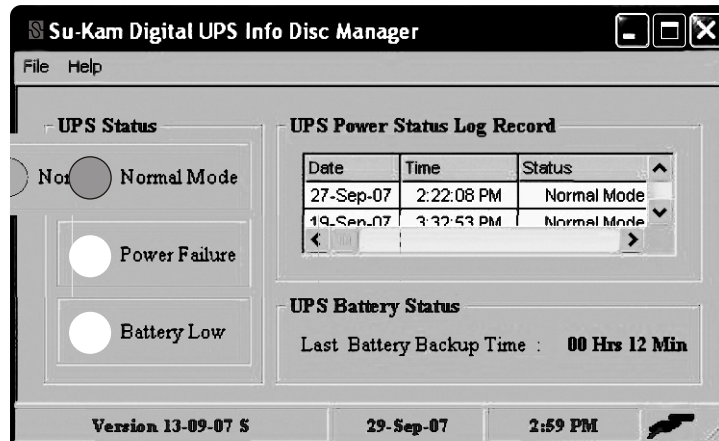
Once installed it will start automatically after completion of operating system booting and continuously monitor the system by showing the icon in the status bar of desktop.

In case of battery low signal it sends commands to system for shutdown thus preventing damage caused by abrupt shutdown. It pops up message of power failure for the signal received. It logs data of Power failure, Normal mode, Battery low to show the log records of last three states of UPS.

The Graphical User Interface of software has following display console:

- Flashing red or green communication icon in status bar of software to show ongoing communication status.
- Mains status indicator.
- Power failure status indicator.
- Low battery status indicator.
- UPS power status last three log records.

This is a complete solution designed to prevent hard-disk crashes and to take care of sophisticated computer components. It completely eradicates the chances of abrupt shutdown thus providing total care, security and convenience.



UPS Status During Normal Mains Mode

4. Trouble Shooting

The trouble shooting chart covers most of the difficulties that you may encounter under normal working conditions. should the UPS fails to operate properly, please proceed the followings before calling for service:

1. Is the UPS plugged into an incorrect wall receptacle?
2. If AC Input voltage / frequency out of range?

When calling for service, please offer the following information:

1. Model No. and Serial No.
2. Date of problem occurred.
3. Full description of problem occurred, including condition happened, environment installed, devices connected to the UPS, etc.

Problem	Possible Cause	Trouble Shooting
No light, no Alarm	1. AC fuse blown	☛ Replace AC fuse of actual rating
	2. Power cord is loose	☛ Connect AC power cord to wall receptacle
	3. Mains switch is not "ON"	☛ Turn ON mains switch
	4. System failure	☛ Contact your dealer
UPS switched off Automatically and Red LED flashing with buzzer beeps.	1. Overload connected at UPS's outlets	☛ Reduce load
	2. Short circuit on Inverter	☛ Check load & output side properly for shorting
	3. Battery low	☛ Battery is low due to excessive load or battery is consumed. Wait, unit mains returns
UPS switched off UPS will not switch to battery mode	1. Mains failure, battery discharged, battery depleted	☛ Wait unit mains returns ☛ Allow the UPS to recharge the batteries for at least 6 hours
	2. System failure	☛ Contact your dealer

5. Technical Specifications

5.1 Digital UPS with Internal Battery

Model		Win Manager / Soft Manager
Specified Load*		1 PC
Input	Voltage Window	140VAC - 295VAC \pm 2%
Output	Frequency	47 Hz - 53 Hz
	Wave Form	Simulated SineWave
	Frequency	50 \pm 0.2 Hz
	Regulation	200VAC - 250 VAC \pm 2%
Transfer Time		Typically 4 - 6 msec

Battery	Type / Voltage	Lead-acid SMF / 12V
	Capacity	7.2 AH
	Recharge Time	Typically 6-8 hours to 90% charged
	Run Time	20-25 minutes depending on load connected
Protection	Over / Under Volt	Switch to battery O/P when mains over regulation range
	Overload / Short Ckt.	Fuse & current limited for battery mode. Fuse protection for mains mode.
	Low / High Battery	Battery deep discharge / over charge protected
	Surge Protection	Yes
	Internet (Modem)**	Yes
No load Shutdown		UPS will shutdown in battery mode after - 2 minutes if load < 6%
DC Start		It enables to activate UPS without utility Power

Communication Port **		DB9 Communication for UPS status monitoring	
Environment	Storage Temp.	0-50°C	
	Operating Temp.	0-40°C	
	Humidity	0-90%	
Mechanical	Dimension	WIN MANAGER	SOFT MANAGER
	(LXHXW) in inches	14" x 7" x 4.6"	12.6" x 3.9" x 5.7"
	Weight (Kg)	7.5 Kg	6.5 Kg

Note : Specifications subject to change without prior notice.

*** Specified load : PC with 14" / 15" / 17"**

**** Optional**

WARRANTY CARD

Model No. :-----

Serial No. :-----

Name of Purchaser :-----

Address :-----

Date of Purchase :-----

Dealer's Name :-----

DEALER STAMP

TERMS AND CONDITIONS OF WARRANTY

- ★ **SU-KAM POWER SYSTEMS LIMITED** warrant to the original purchaser provided the product is still in possession of and used by the original purchaser from the date due of purchase.
- ★ The warranty stands on all parts (except LED's, switches and external body) for UPS will be for a period of 24 months and battery for 12 months.
- ★ The warranty will be automatically terminate on the expiry of the warranty period, even in case of the UPS not being in use in the specified period.
- ★ This warranty is valid only if it is duly signed by the authorized dealer.
- ★ The warranty will be invalidated if defects arising in company's opinion by reasons of accident, abuse, misuse, neglect, improper installation (if not undertaken by the company or its representative), fire, flood, or other act of GOD and any other natural calamities and any other unauthorized repairs done or carried out will have to be borne by the purchaser. The problem of fuse blown will not be included in the warranty of the product. The services given for the same will be paid service.
- ★ The company is in no way are will be held liable for any loss or injury or damage caused to life or property or death and disability caused to any form of life for any reason whatsoever.
- ★ The warranty will not apply if the original seals are found broken or tampered with.
- ★ Free service under the terms of warranty will be provided only by authorized representatives/dealers of the company anywhere in India.
- ★ The company expressly denies the right of any person to incur or assure for it any other liability or obligation in connection with the sale of UPS.
- ★ Claims if any, to this warranty shall be made only before courts having jurisdiction in New Delhi.
- ★ Please send your query or Complaint to info@su-kam.com

SU-KAM OFFICES ADDRESSES

Hyderabad

Plot No. 81, Syndicate Bank Colony
West Maarredipally,
Sacunderabad-500 026
Andhra Pradesh
Tel.: +91-40-32986828, 09347006004
9392004926
E-mail: hyd@su-kam.com

Bangalore

H.No.449, Ground Floor, 7 th Cross,
6th Main, MICO Layout, BTM II Stage,
Bangalore 560076
Karnataka
Tel.: 080-32961610, 09341444693
E-mail : bangalore@su-kam.com

Chennai

14/50, Gandhi Road, Arumbakkam,
Chennai- 600106
Tamil Nadu
Tel.: 044- 32964497, 09344614009
E-mail : chennai@su-kam.com

Pune

Sr. No. 173/2 A, Shop No. 8 & 9,
Suryavanshi Towers
Behind Suyoba Kanyalaya,
Bhakarainagar, Phursungi Taluka,Haveli
Pune 418302
Tel.: 020-32303900, 09370658684
E-mail: pune@su-kam.com

Kolkata

75, Sarat Chatterjee road
Police Station, Lake Town
Kolkata 700089
West Bengal
Tel: +91 9433266573, 9339195150
E-mail: kolkata@su-kam.com

Vadodara

L-20/2, Por-Ramangamdi
Indi Estate (GIDC)
Por, NH-8
Vadodara 391243
Gujarat
Tel: +91 9377111634, 9327434081
E-mail: vadodara@su-kam.com

Indore

25, S D A Compound
Lasulia Thana, Devas Naka
Indore 452001
Madhya Pradesh
Tel: +91 9329560222, 9301157800
E-mail: indore@su-kam.com

Ludhiana

Shop No. 15, Anmol Market
VIII, Daad, Pakhowal Raod
Ludhiana 141002
Punjab
Tel: +91 9317547976, 9317547978
E-mail: ludhiana@su-kam.com

Ranchi

74/D, Plot No. 1
Park Road 3, Ashok Nagar
Ranchi 834002
Jharkhand
Tel: +91 9334196088, 9334842729
E-mail: ranchi@su-kam.com

Jaipur

Manuli Complex
D-221D, Bhaskar Marg
Bani Park
Jaipur
Rajasthan
Tel: +91-141-3263200
E-mail: jaipur@su-kam.com

Patna

Flat No. G-1, Abhilasha Apartments
Justice Narayan Path, Nageshwar Colony
Boring Road, Patna 800001
Bihar
Tel: +91 9334121313, 9334842729
E-mail: patna@su-kam.com

Jammu

76/6, Trikuta Nagar
Near Mini Market
Jammu 180012
J & K
Tel: +91 9419310090, 9906310415
E-mail: jammu@su-kam.com

Ghaziabad

13/7, Site No. 3
Meerut Road Industry Area
Near Uttar Toyota
Ghaziabad
Uttar Pradesh
Tel: +91-120-2713265, 9312091936,
9330191876, 9313777563
E-mail: ghaziabad@su-kam.com

 **SU-Kam**
www.su-kam.com

SU-KAM POWER SYSTEMS LTD.

FACTORY : A) 64, DIC INDUSTRIAL AREA, BADDI, DISTT. SOLAN (H.P) INDIA
B) 196-C ,SECTOR-37,PH-VI,DISTT. GURGAON (HARYANA) INDIA
REGD.OFF.: WZ-1401/2, NANGAL RAYA , NEW DELHI-46